

PRODUCT INFORMATION PACKET

marathon[®]
Motors

Model No: 100LTFC6527
Catalog No: R422A
3,1800,TEFC,100L,3/60/575
TEFC



Regal and Marathon are trademarks of Regal Beloit Corporation or one of its affiliated companies.
©2018 Regal Beloit Corporation, All Rights Reserved. MC017097E

REGAL[®]



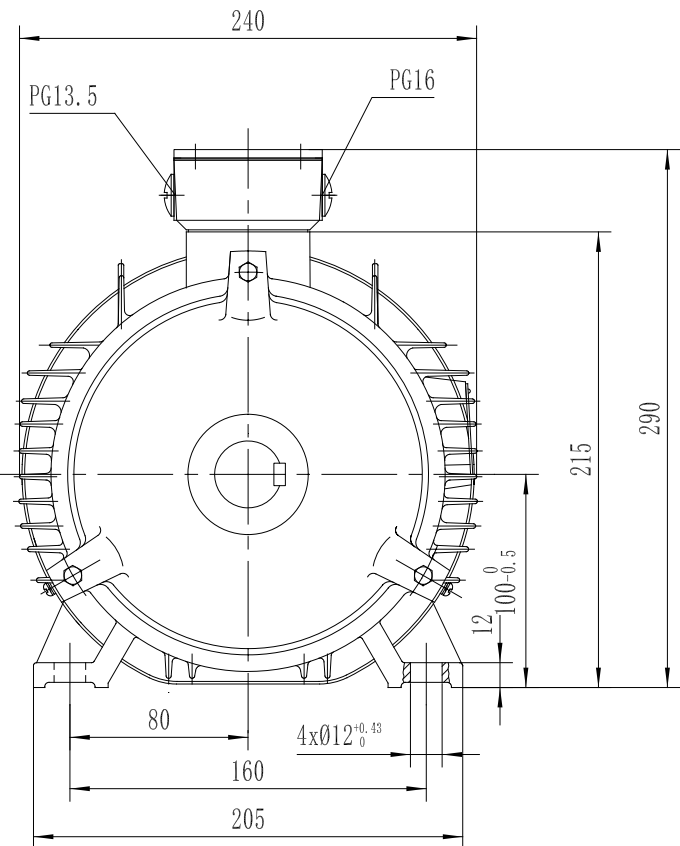
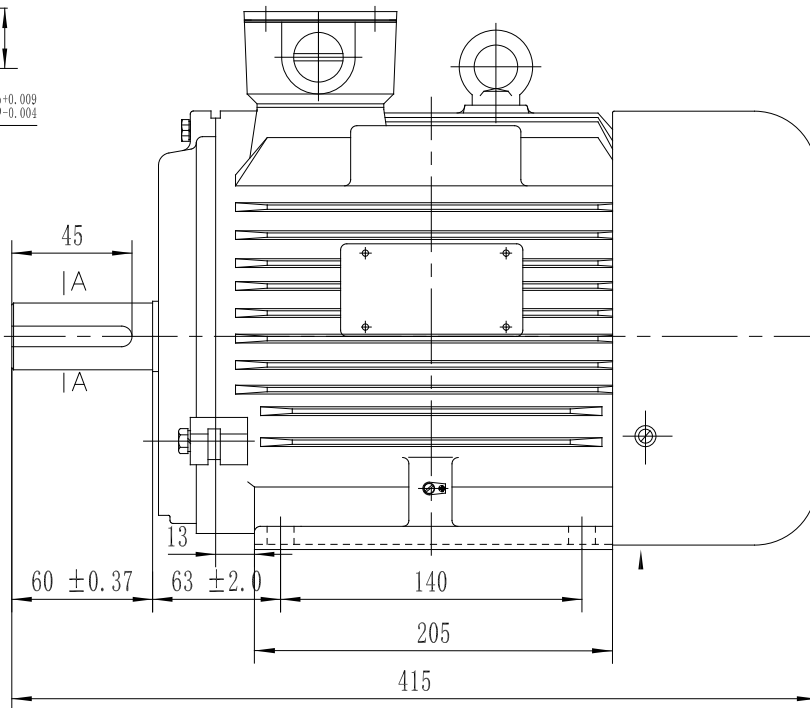
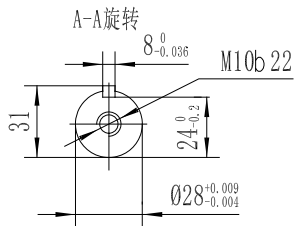
Nameplate Specifications

Output HP	3 Hp	Output KW	2.2 kW
Frequency	60 Hz	Voltage	575 V
Current	3.2 A	Speed	1770 rpm
Service Factor	1.15	Phase	3
Efficiency	90.2 %	Duty	Continuous
Insulation Class	F	Design Code	B
KVA Code	J	Frame	100L
Enclosure	Totally Enclosed Fan Cooled	Overload Protector	No
Ambient Temperature	40 °C	Drive End Bearing Size	6206
Opp Drive End Bearing Size	6205	UL	Recognized
CSA	Y	CE	Y
IP Code	55		

Technical Specifications

Electrical Type	Squirrel Cage Inverter Rated	Starting Method	Line Or Inverter
Poles	4	Rotation	Reversible
Mounting	Rigid base	Motor Orientation	Horizontal
Drive End Bearing	Ball	Opp Drive End Bearing	Ball
Frame Material	Cast Iron	Shaft Type	IEC
Overall Length	16.33 in	Shaft Diameter	1.111 in
Shaft Extension	2.36 in	Assembly/Box Mounting	F3
Outline Drawing	SS622236-DF100L1-4R	Connection Diagram	00510201ME

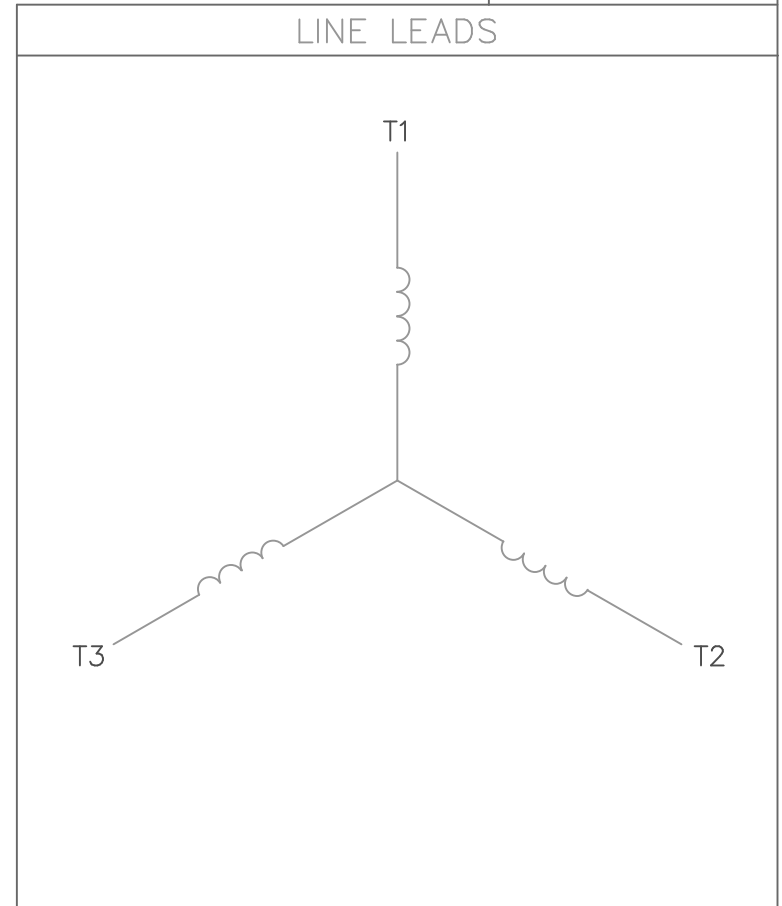
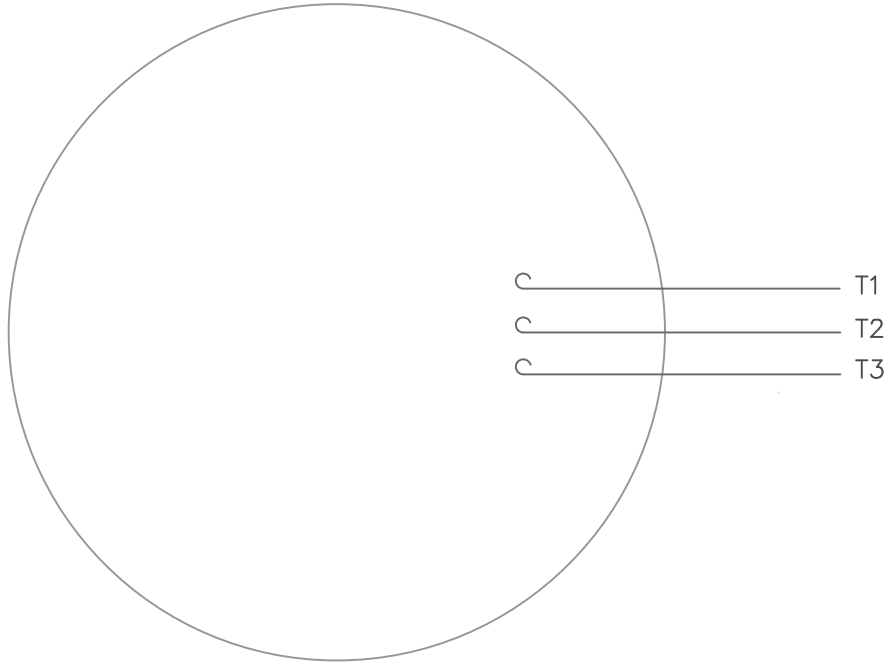
This is an uncontrolled document once printed or downloaded and is subject to change without notice. Date Created: 06/29/2018



DF100L-2R	193303.60
DF100L1-4R	193301.60
DF100L2-4R	193304.60
DF100L-6R	193300.60
FRAME	PART #

NO.		REVISION	BY & DATE	CHK	TOLERANCES UNLESS SPECIFIED		Regal-Beloit Corporation TITLE: OUTLINE	DRAWN		
					DEC.	INCHES		CHK		
					.X	±.1		APPD		
					.XX	±.03		SCALE		
					.XXX	±.005		REF		
					.XXXX	±.0005	MAT'L.	FMF		
					ANG	±1/2	FINISH	PREV		
THIS DRAWING IN DESIGN AND DETAIL IS OUR PROPERTY AND MUST NOT BE USED EXCEPT IN CONNECTION WITH OUR WORK ALL RIGHTS OF DESIGN AND INVENTION ARE RESERVED THIS IS AN ELECTRONICALLY GENERATED DOCUMENT - DO NOT SCALE THIS PRINT				RFP	CAD FILE			SIZE	DRAWING NO.	REV.
				DIST				B	SS622236	

VIEW FROM OUTSIDE OF MOTOR AT SWITCH END.



CONNECT LEADS AS FOLLOWS
FOR FOUR CONDUCTOR CORD ()

CORD	L1 (RED)	L2 (WHITE)	L3 (BLACK)	(GREEN)
MOTOR	T1	T2	T3	GROUND

				TOLERANCES UNLESS SPECIFIED				DRAWN RDW 5/1/02		
				DEC.	INCHES			CHK		
				.X	±.1			APPD		
				.XX	±.01			SCALE 1=1		
				.XXX	±.005			REF		
				.XXXX	±.0005	MAT'L. DECAL - 004169		FMF		
NO.	REVISION	BY & DATE	CHK	ANG	±1/2'	FINISH		PREV		
THIS DRAWING IN DESIGN AND DETAIL IS OUR PROPERTY AND MUST NOT BE USED EXCEPT IN CONNECTION WITH OUR WORK ALL RIGHTS OF DESIGN AND INVENTION ARE RESERVED THIS IS AN ELECTRONICALLY GENERATED DOCUMENT - DO NOT SCALE THIS PRINT				RFP	5/1/02	CAD FILE 00510201ME		SIZE	DRAWING NO.	REV.
				DIST				A	005102-01ME	

Data Sheet

Date: 29-06-2017
 Customer: _____
 Attention: _____
 Submitted by: FAREEDA DUDEKULA



100LTC6527

Submittal

Data @ 575 V

Motor Load Data

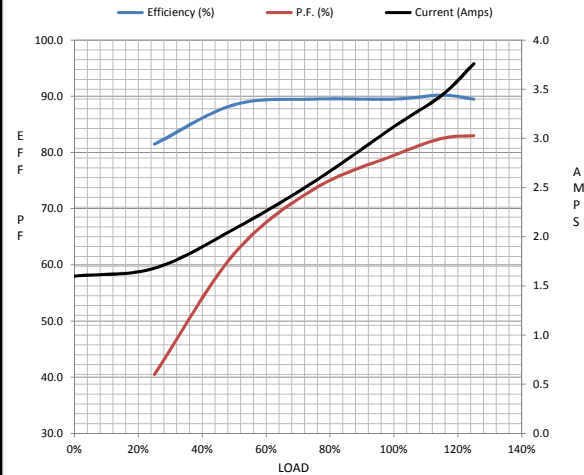
Load	0%	25%	50%	75%	100%	115%	125%	LR
Current (Amps)	1.60	1.68	2.08	2.56	3.1	3.4	3.8	23.5
Torque (ft-lb)	0.00	2.20	4.4	6.7	8.9	10.3	11.2	19.5
RPM	1800	1795	1785	1775	1770	1,765	1760	0
Efficiency (%)		81.5	88.5	89.5	89.5	90.2	89.5	
P.F. (%)	7.5	40.5	62.0	73.5	79.5	82.5	83.0	36.0

Motor Speed Data

	LR	Pull-Up	BD	Rated	Idle
Speed (RPM)	0	375	1575	1770	1800
Current (Amps)	23.5	20.8	14.6	3.1	1.60
Torque (ft-lb)	19.5	15.0	32.7	8.9	0.00

Information Block

HP	3.0			
Sync. RPM	1800			
Frame	182			
Enclosure	TEFC			
Construction	TFC			
Voltage	575 V			
Frequency	60 Hz			
Design	B			
LR Code letter	J			
Service Factor	1.15			
Temp Rise @ FL	28 ° C			
Duty	CONT			
Ambient	40 ° C			
Elevation	1,000 feet			
Rotor/Shaft wk ²	0.34 Lb-Ft ²			
Ref Wdg	T08704010 NONE			
Sound Pressure @ 1M	999 dBA			
VFD Rating	CONSTANT 20:1			
Outline Dwg	SS622236			
Conn. Diag	5102			
Additional Specifications:				
0				
365THFS8036				
EQUIV CKT (OHMS / PHASE)				
R1	R2	X1	X2	Xm
0.0000	0.0000	0.0000	0.0000	0.0000



Speed -Torque Curve

